



LM Aluminium Hinges

DORMA

LM Aluminium Hinges

DORMA LM

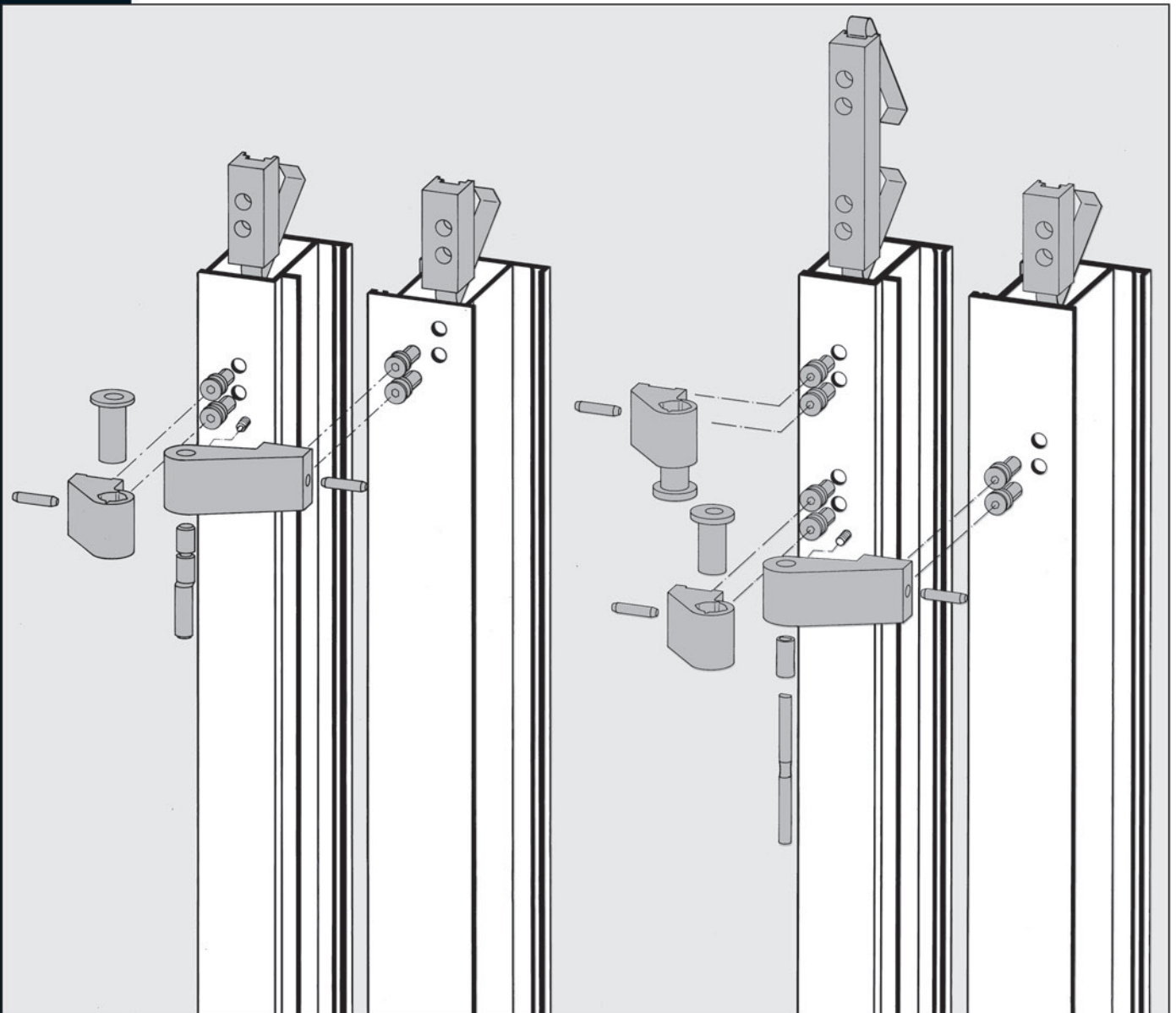
Engineered down to the smallest detail adaptable to any profile system

The DORMA LM series of aluminium hinges has been developed to give fast, safe and precise door hanging for different types of door construction. The new LM series incorporates the long term experience that DORMA has gained in this field. This in turn has been supported by rigorous test procedures which exceed the norm for this type of product.

The new LM series not only meets customer requirements but sets new standards for quality and performance.

Plus points...

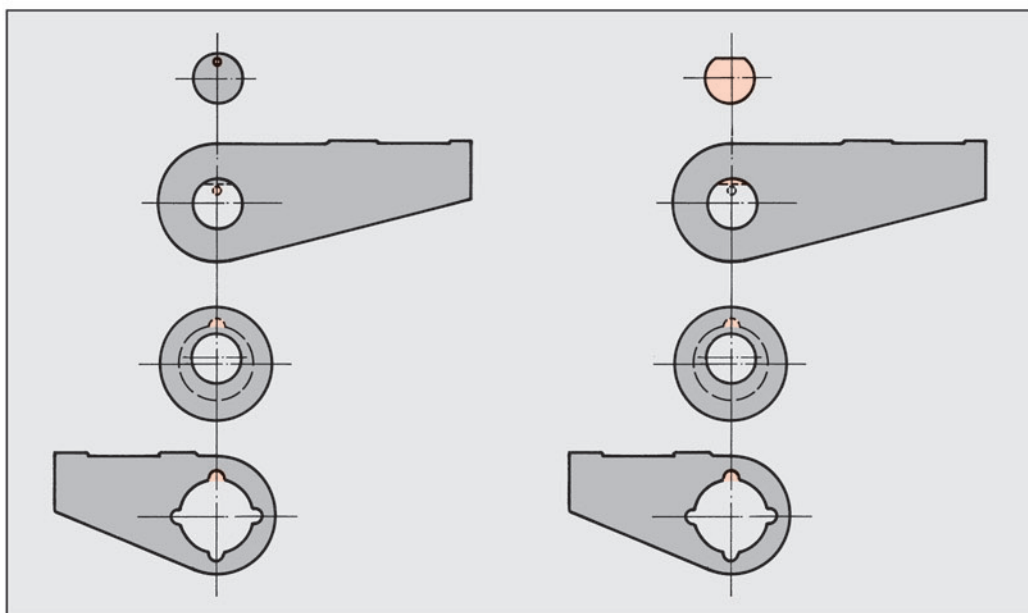
- Comprehensive range for all conventional door assemblies
- Non-handed
- For door widths up to 1200 mm and door leaf weights up to 120 kg
- Easy to fix - no milling or routing, only 4 or 6 holes to drill
- No visible screw connections
- Fast fixing with lock pin arrangement
- Rugged and secure attachment ensured by insert plate



Adjustment

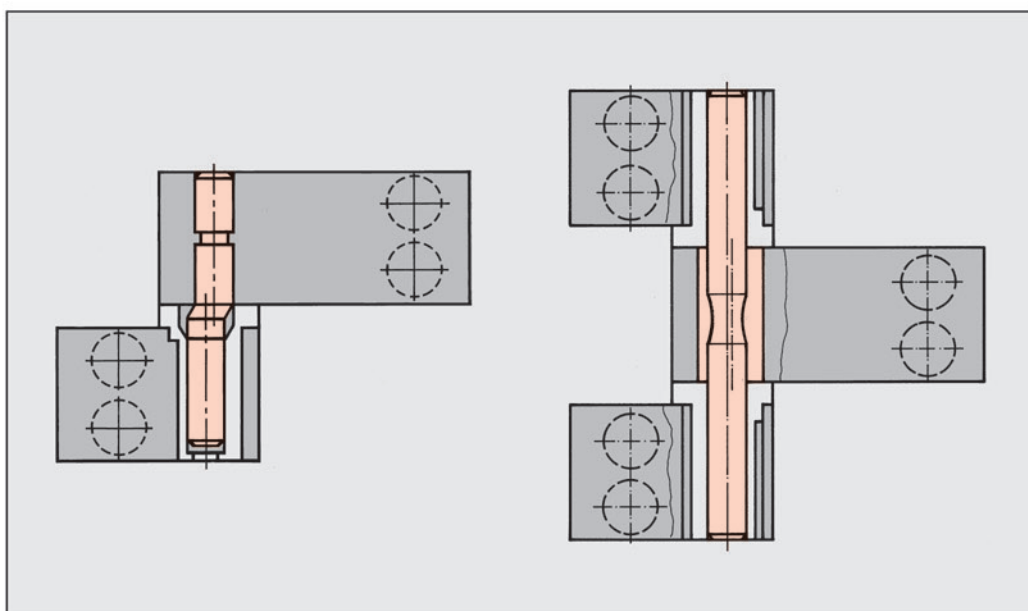
A defined neutral position avoids problems from the start

The neutral position of the adjustable parts can be seen clearly from both the markings and the characteristic shape of the components.



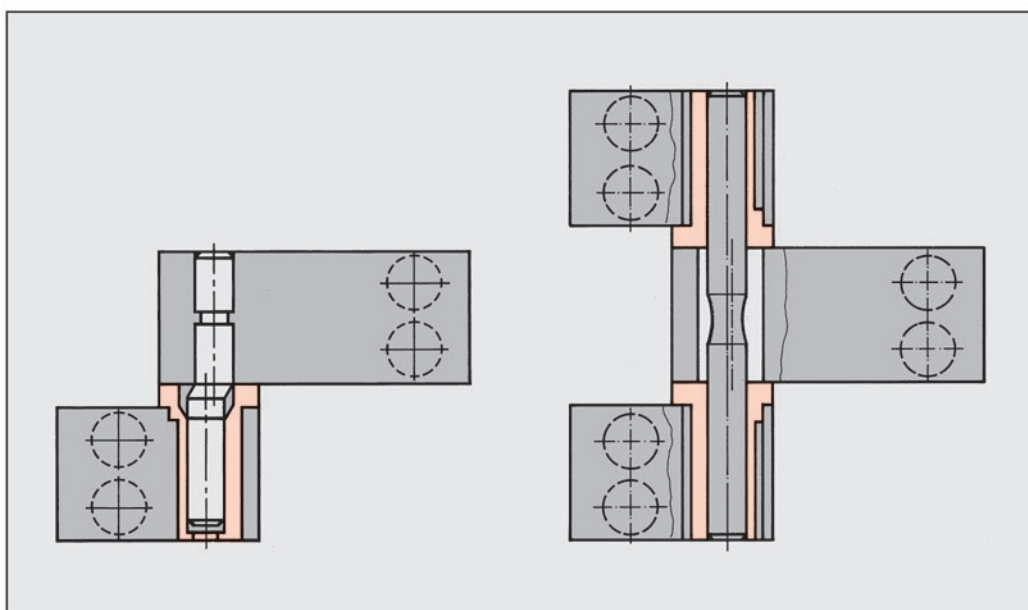
Eccentric pivot pin: For problem-free door adjustment after installation

The pivot pins for both the two and three-part hinges are eccentric. They can be adjusted by the insertion of an Allen key into the plastic bearing in the lower part of the hinge, enabling the door to be realigned within the range ± 0.75 mm.



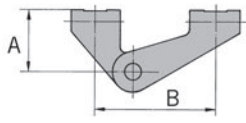
Eccentric pivot bearing for additional alignment with a total adjustment range of 3mm

The pivot bearings are also adjustable in three steps. The adjustment range gives a further ± 0.75 mm, so that DORMA LM hinges feature a total realignment range of 3 mm.



DORMA LM

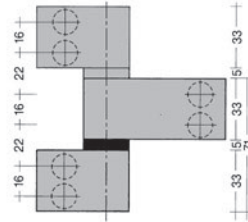
The range



A = Pivot point offset
B = Fixing hole centres

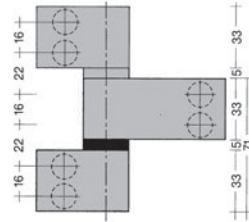
Load-bearing hinges with 13mm offset

Two- and three-part



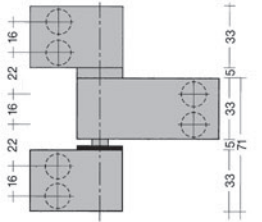
Load-bearing hinges with 22mm offset

Two- and three-part



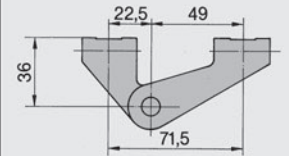
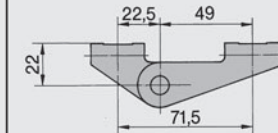
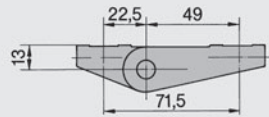
Non-load-bearing hinges* with 36mm offset

Two- and three-part



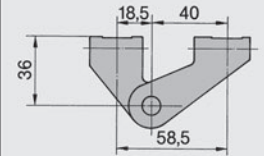
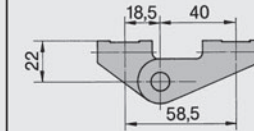
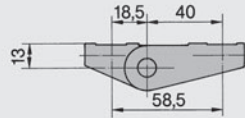
A-type hinge:

Fixing hole centres 71.5mm



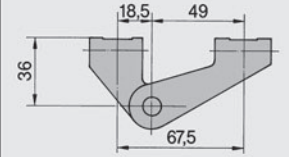
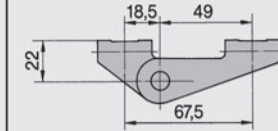
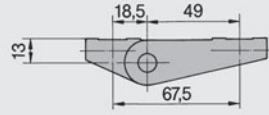
B-type hinge:

Fixing hole centres 58.5mm



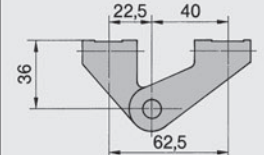
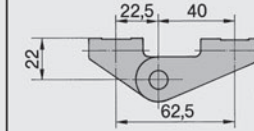
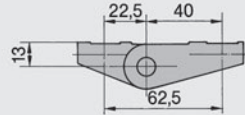
C-type hinge:

Fixing hole centres 67.5mm



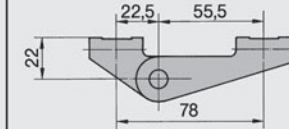
D-type hinge:

Fixing hole centres 62.5mm



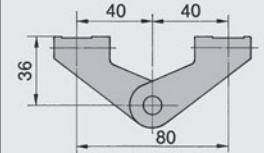
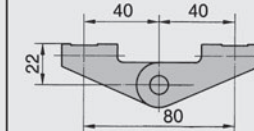
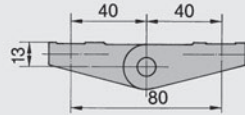
E-type hinge:

Fixing hole centres 78.0mm



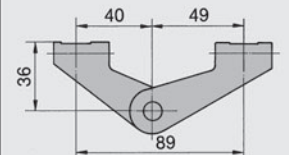
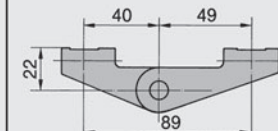
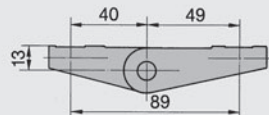
F-type hinge:

Fixing hole centres 80.0mm



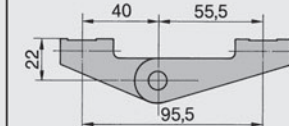
G-type hinge:

Fixing hole centres 89.0mm



K-type hinge:

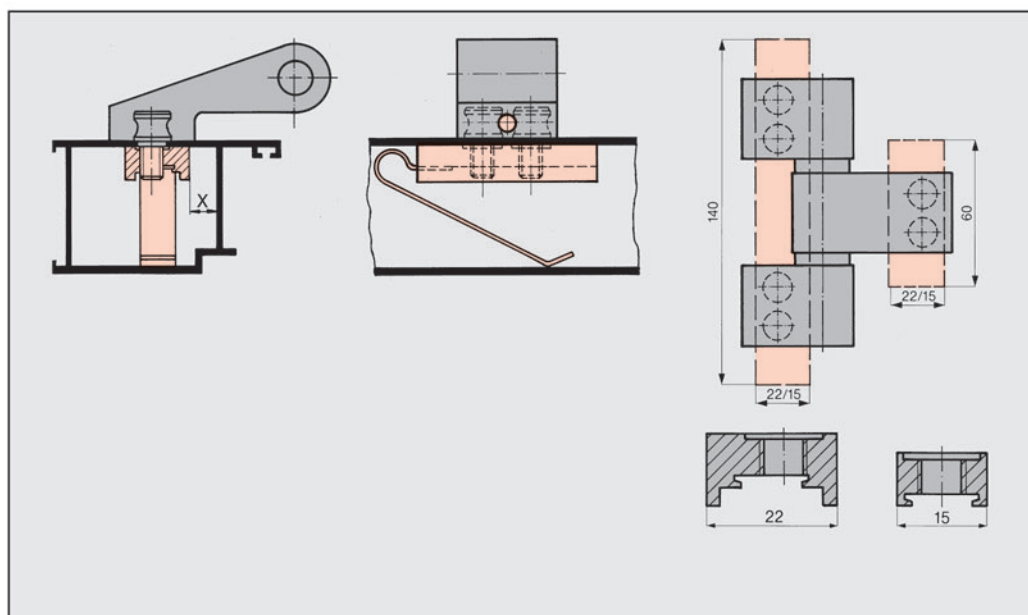
Fixing hole centres 95.5mm



* 36mm non-load-bearing hinges

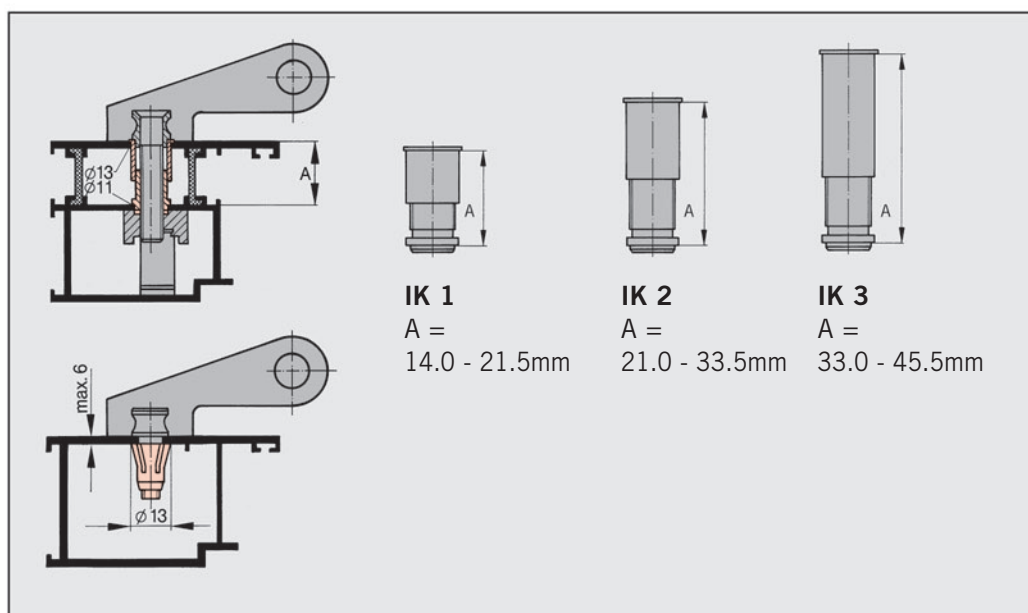
For use in conjunction with LM door strap and floor spring. They are fixed so that a distance of 3mm is left between the frame portion and the door portion of the hinge, i.e. used as a jamb pivot.

The fixing elements



Two-in-one insert plate with offset tapped holes

The offset arrangement of the tapped holes allows for a variety of installation positions for the insert plate (22 mm). This gives the optimum installation position for most profiles (dimension X should be kept as small as possible). For fixing to very narrow profiles, 15 mm wide insert plates can be supplied. Positive positioning of the insert plate before fixing is ensured by a leaf spring.

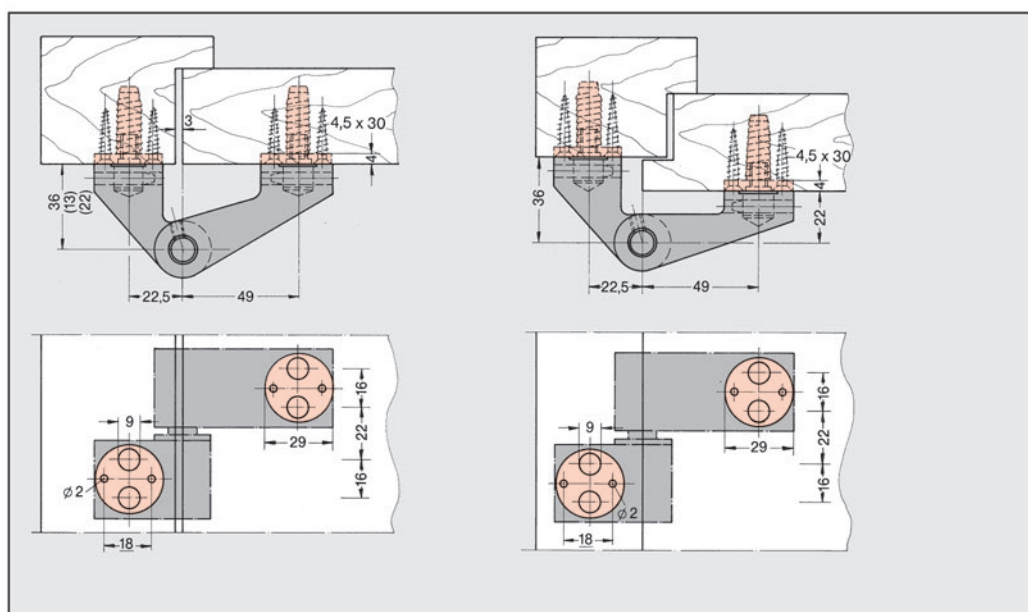


Easy and fast fixing to insulated profiles

In order to maintain the integrity of the installation, easy-to-insert adjustable spacer sleeves can also be supplied. A high load capacity is ensured by the fact that their collars press firmly against the profile member.

Fixing with expansion plugs (max. door leaf weight 80 kg)

If it is impossible to use an insert plate, expansion plugs will ensure a secure fixing of DORMA LM hinges.



Special fixings for timber doors

Flush-closing timber doors:

Use LM hinge Art. No. A-13 (22) (36). 10 in either its two- or three-part version.

Over-rebated timber doors:

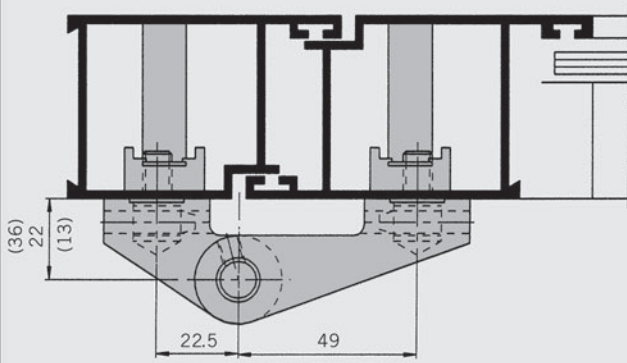
(14 mm rebate) – Use LM hinge Art. No. A-36/22.10 in either its two- or three-part version.



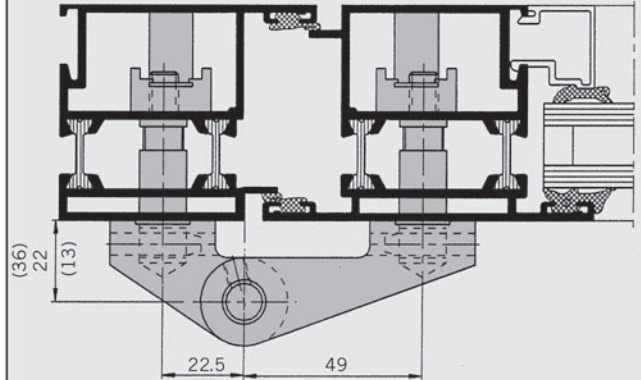
DORMA LM

Example installations

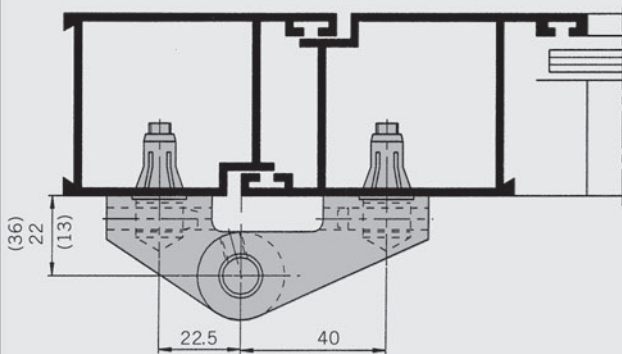
Aluminium door, normal fixing



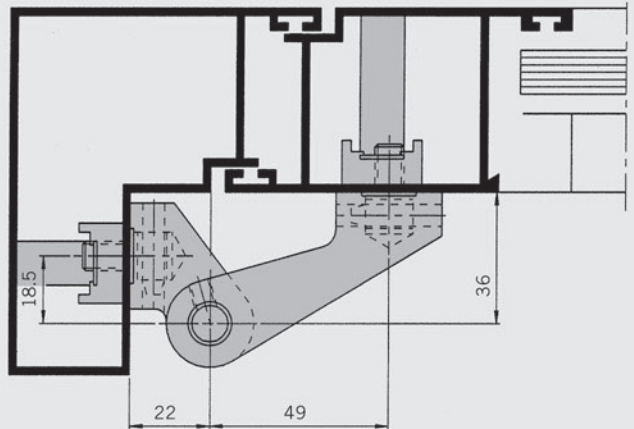
Aluminium door, insulated profile variant with spacer sleeves



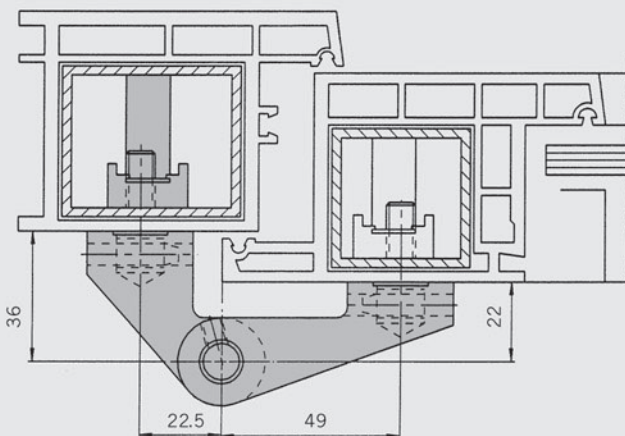
Aluminium door, fixing with expansion plugs



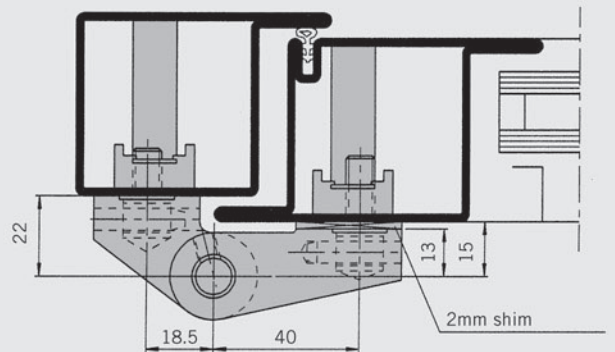
Aluminium door, corner profile



Plastic door



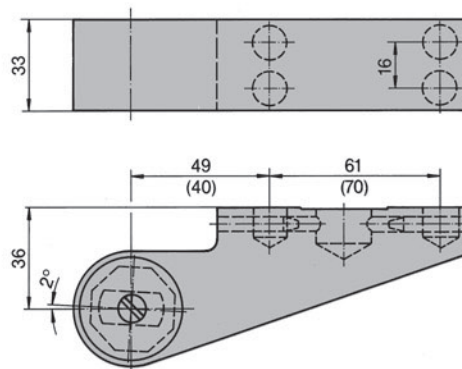
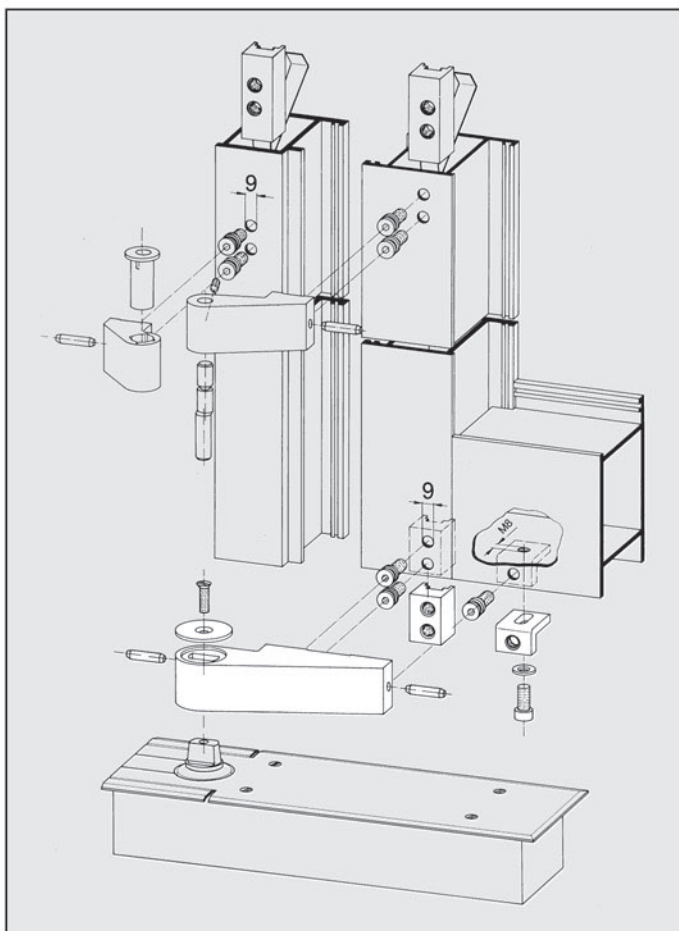
Steel door



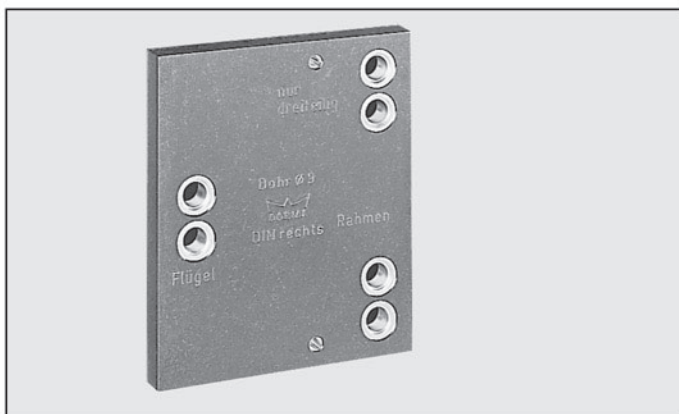
Accessories

LM door strap

for use with floor springs and LM hinges
 with 36 mm pivot point offset
 max. door leaf weight 120 kg
 max. door leaf width 1200 mm
 For further details, see brochure:
 "Floor Spring Accessories"



() = Dimensions of model 7459 B

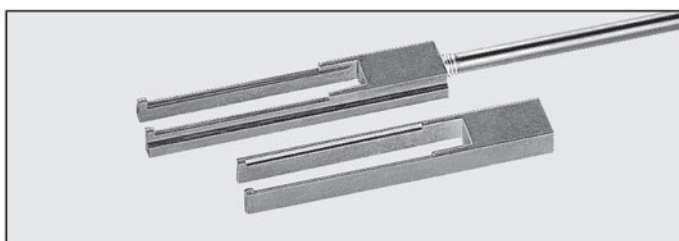


Drilling jigs

available for all conventional profiles:
 1) Drill sleeve diameter of 9 mm for non-insulated and inward opening insulated door assemblies
 2) Drill sleeve diameter of 11 mm for outward opening insulated door assemblies
 Please specify profile system when ordering, or indicate dimensions X and Y.

Drilling jig for flush-closing and over-rebated timber doors

dimension X = 50.5 mm,
 dimension Y = 3 mm



Insertion slide

for fitting the insert plates into the profile.
 Two models available:
 1) for 22 mm insert plates
 2) for 15 mm insert plates



Stepped drills

for drilling holes in insulated aluminium profiles.
 Three types available:
 Please specify profile system when ordering:
 Type 1 = 36 mm
 Type 2 = 46 mm
 Type 3 = 52 mm

Drift

for driving the spacer sleeves into position.

For other combinations of hinge type/fixing accessories see separate leaflet: 'LM Ordering Guide'.					Hinge dimensions	Fixing accessories
	2 part order no.	Pack*	3 part order no.	Pack*		
Set A-13.1 13mm pivot point offset: Mill finish EV 1 (Euras C-0) anodised DB 4 (Euras C-34) anodised White (RAL 9016) powder coated White (RAL 9010) powder coated	62230101	10	62510101	1		In the case of the three-part hinge types, the accessory set contains two insert plates - one 60mm long and one 140mm long
Mill finish EV 1 (Euras C-0) anodised DB 4 (Euras C-34) anodised White (RAL 9016) powder coated White (RAL 9010) powder coated	62230102	10	62510102	1		
White (RAL 9016) powder coated White (RAL 9010) powder coated	62230103	10	62510103	1		
A-22.1 22mm pivot point offset: Mill finish EV 1 (Euras C-0) anodised DB 4 (Euras C-34) anodised White (RAL 9016) powder coated White (RAL 9010) powder coated	62230201	10	62510201	1		
Mill finish EV 1 (Euras C-0) anodised DB 4 (Euras C-34) anodised White (RAL 9016) powder coated White (RAL 9010) powder coated	62230202	10	62510202	1		
White (RAL 9016) powder coated White (RAL 9010) powder coated	62230203	10	62510203	1		
A-36.1 36mm pivot point offset: Mill finish EV 1 (Euras C-0) anodised DB 4 (Euras C-34) anodised	62230301	2	62510301	1		
Mill finish EV 1 (Euras C-0) anodised DB 4 (Euras C-34) anodised	62230302	2	62510302	1		
White (RAL 9016) powder coated White (RAL 9010) powder coated	62230303	2	62510303	1		
B-13.1 13mm pivot point offset: Mill finish EV 1 (Euras C-0) anodised DB 4 (Euras C-34) anodised	62230401	10	62510401	1		In the case of the three-part hinge types, the accessory set contains two insert plates - one 60mm long and one 140mm long
Mill finish EV 1 (Euras C-0) anodised DB 4 (Euras C-34) anodised	62230402	10	62510402	1		
White (RAL 9016) powder coated White (RAL 9010) powder coated	62230403	10	62510403	1		
B-22.1 22mm pivot point offset: Mill finish EV 1 (Euras C-0) anodised DB 4 (Euras C-34) anodised White (RAL 9016) powder coated White (RAL 9010) powder coated	62230501	10	62510501	1		
Mill finish EV 1 (Euras C-0) anodised DB 4 (Euras C-34) anodised White (RAL 9016) powder coated White (RAL 9010) powder coated	62230502	10	62510502	1		
White (RAL 9016) powder coated White (RAL 9010) powder coated	62230503	10	62510503	1		
B-36.1 36mm pivot point offset: Mill finish EV 1 (Euras C-0) anodised DB 4 (Euras C-34) anodised	62230601	2	62510601	1		
Mill finish EV 1 (Euras C-0) anodised DB 4 (Euras C-34) anodised	62230602	2	62510602	1		
White (RAL 9016) powder coated White (RAL 9010) powder coated	62230603	2	62510603	1		
A-22.7 for insulation profile IK 2 22mm pivot point offset: with adjustable spacer sleeve 21 - 33.5mm EV 1 (Euras C-0) anodised DB 4 (Euras C-34) anodised	62227202	2				IK2 21 - 33.5
EV 1 (Euras C-0) anodised DB 4 (Euras C-34) anodised	62227203	2				
G-22.7 for insulation profile IK 2 22mm pivot point offset: with adjustable spacer sleeve 21 - 33.5mm Mill finish EV 1 (Euras C-0) anodised DB 4 (Euras C-34) anodised	62238301	10				IK2 21 - 33.5
Mill finish EV 1 (Euras C-0) anodised DB 4 (Euras C-34) anodised	62238302	10				
White (RAL 9016) powder coated White (RAL 9010) powder coated	62238303	10				
White (RAL 9016) powder coated White (RAL 9010) powder coated	62238303	10				

Pack*= Number of items per pack

DORMA UK Limited
 Door Controls Division
 Wilbury Way, Hitchin
 Hertfordshire SG4 0AB
 Tel: 01462 477600
 Fax: 01462 477601
 E-mail: hardware@dorma-uk.co.uk

DORMA Ireland Limited
 19 Sandyford Office Park
 Foxrock,
 Dublin 18
 Tel: 01 295 8280
 Fax: 01 295 8284
 E-mail: dormadublin@dorma.com