

# SINGLE AND DOUBLE ACTION HINGES



The quality benchmark

## PRODUCT ADVANTAGES

- Opening range to 180°
- Tested 200 000 cycles
- For door waighing up to 100 kg
- Unremovable thanks to riveted pins
- Silent thanks to self lubricating rings
- From 75 mm to 200 mm high
- Several finishes available: steel, silver lacquered and stainless steel

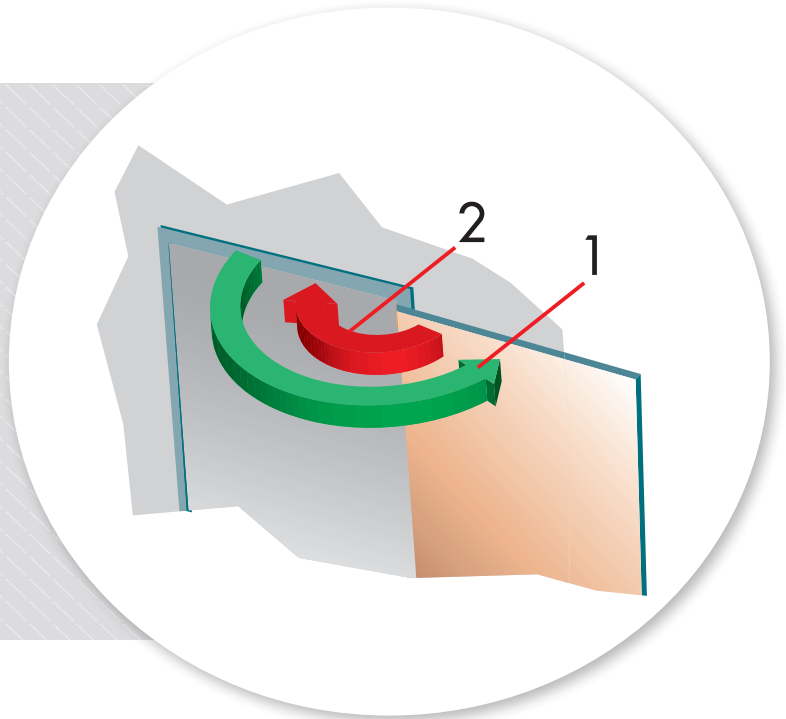
| TECHNICAL CHARACTERISTICS                            | SPRING HINGES |
|--|---------------|
| Single action  | Nr 0 to 17    |
| Double action  | Nr 29 to 42   |
| Maximum weight of the door with 2 hinges nr 17 or 42 | 70 kg         |
| Maximum weight of the door with 3 hinges nr 17       | 100 kg        |
| Items sold by pair                                   | YES           |
| Max. rigidity of triple thickness steel binoculars   | YES           |
| Stamped steel flap                                   | YES           |
| Flap stability thanks to balancers                   | YES           |

# SINGLE AND DOUBLE ACTION HINGES

## > FUNCTIONS

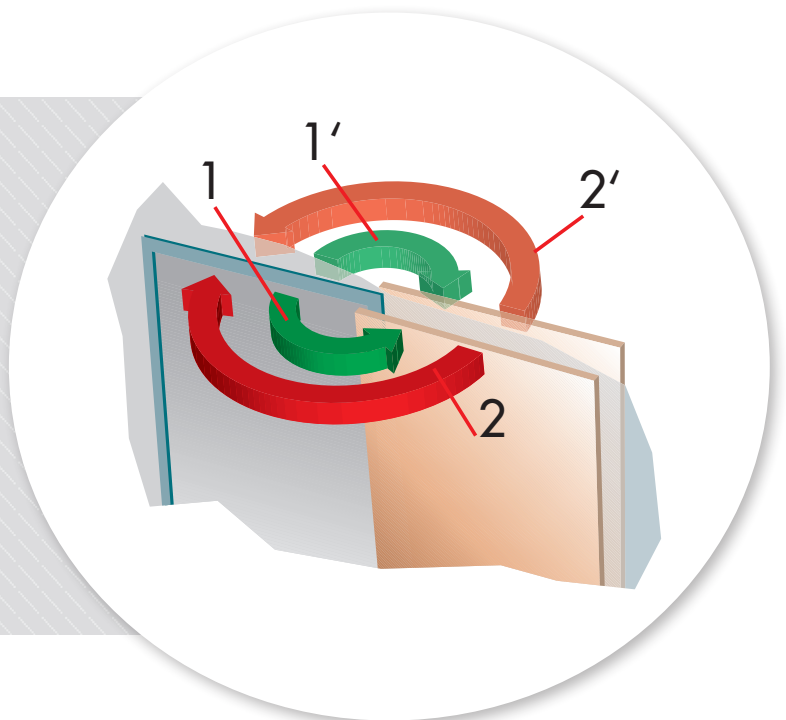
### SIMPLE ACTION

- Zone 1: While opening the door, energy is stored in the spring within the hinge. The door opens without much resistance.
- Zone 2: When the door is released, it closes under the action of the spring, which restores its energy.

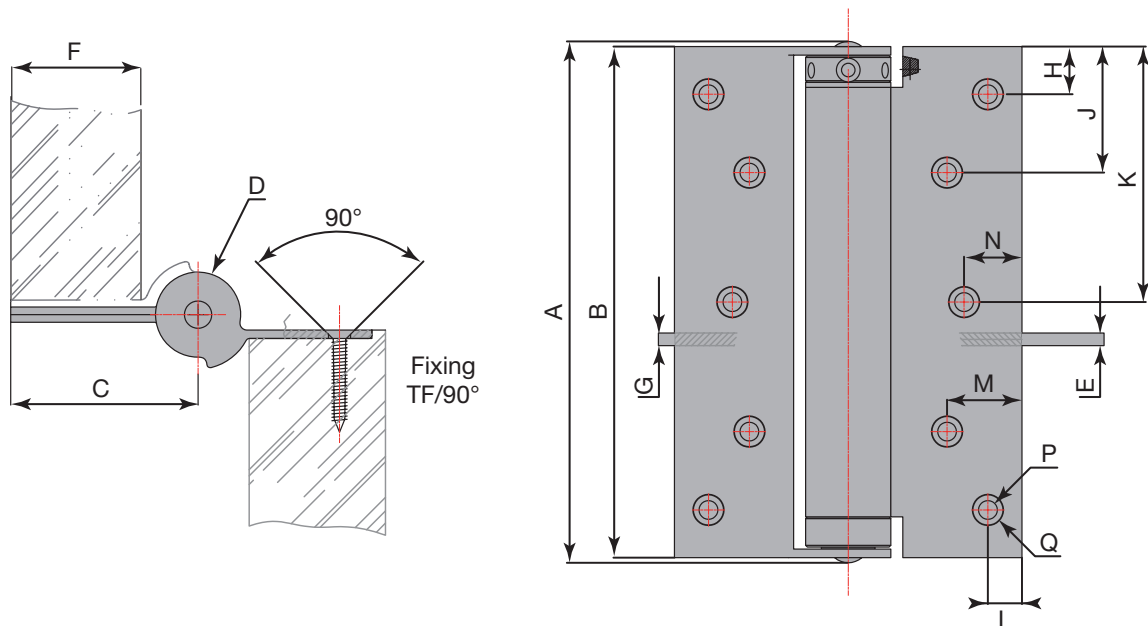


### DOUBLE ACTION

- Zone 1 et 1': Regardless of the direction of passage, opening the door will restore the energy in the spring.
- Zone 2 et 2': When the door is released, it closes under the action of the spring, which restores its energy.



## > SIMPLE ACTION



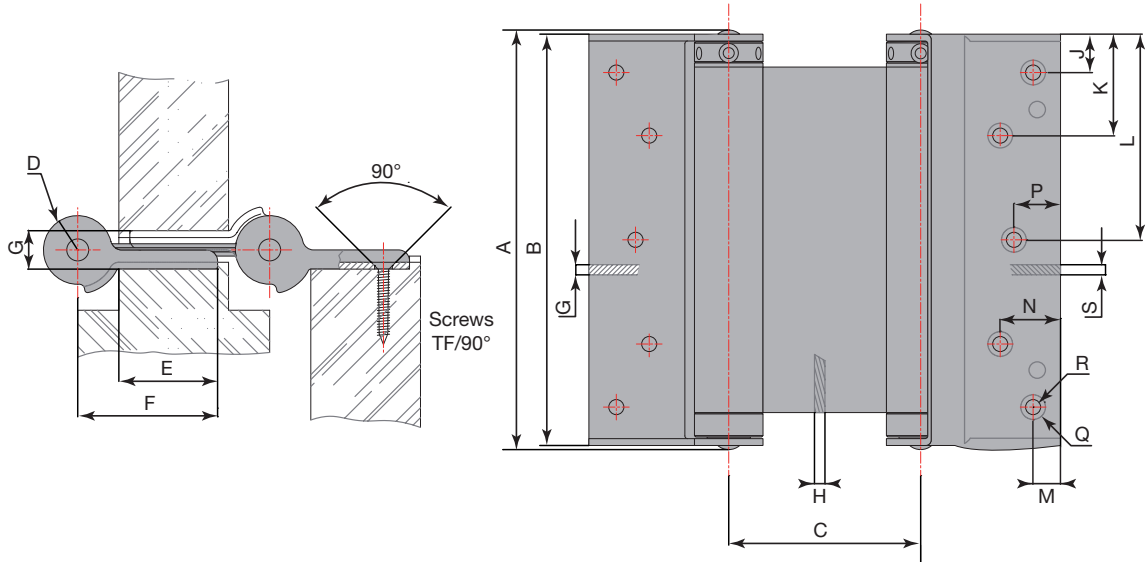
### TECHNICAL CHARACTERISTICS

|                                  | Nr     | 0       | 1       | 5       | 9       | 13      | 17      |
|----------------------------------|--------|---------|---------|---------|---------|---------|---------|
| Spring hinges                    |        |         |         |         |         |         |         |
| Height of leaf                   | mm     | 75      | 100     | 125     | 150     | 175     | 200     |
| Thickness of doors               | mm     | 20 à 25 | 21 à 30 | 25 à 35 | 25 à 40 | 33 à 50 | 35 à 55 |
| Width of doors                   | mm     | 600     | 700     | 700     | 750     | 850     | 1000    |
| Maximum weight of doors equipped | kg     | 15      | 22      | 27      | 40      | 55      | 70      |
| Fixings recommended              | TF/90° | 4 x 20  | 4 x 20  | 4 x 25  | 4 x 25  | 6 x 30  | 6 x 30  |

| Nr | A   | B   | C    | D    | E   | F  | G   | H   | J    | K    | L   | M  | N    | O   | P  |
|----|-----|-----|------|------|-----|----|-----|-----|------|------|-----|----|------|-----|----|
| 0  | 78  | 75  | 34   | 19   | 2   | 20 | 2   | 8   | 24   | -    | 7   | 13 | -    | 5,5 | 8  |
| 1  | 103 | 100 | 37,5 | 21   | 2   | 23 | 2   | 9   | 27,5 | -    | 9   | 15 | -    | 5,5 | 8  |
| 5  | 128 | 125 | 45   | 22,5 | 2,4 | 28 | 2   | 9,5 | 36   | 62,5 | 9,5 | 20 | 9,5  | 5,5 | 8  |
| 9  | 153 | 150 | 48   | 25   | 3   | 30 | 2,5 | 9   | 37   | 75   | 9   | 20 | 13,5 | 5,5 | 9  |
| 13 | 179 | 176 | 57,5 | 29   | 3,6 | 38 | 3,5 | 14  | 50   | 87,5 | 10  | 24 | 16,5 | 7   | 12 |
| 17 | 203 | 198 | 64   | 33   | 4   | 42 | 4   | 16  | 56   | 100  | 10  | 30 | 18   | 7   | 12 |

# SINGLE AND DOUBLE ACTION HINGES

## > DOUBLE ACTION



### TECHNICAL CHARACTERISTICS

| Spring hinges                                  | Nr     | 29      | 30      | 33      | 36      | 39      | 42      |
|--|--------|---------|---------|---------|---------|---------|---------|
| Height of leaf                                 | mm     | 75      | 100     | 125     | 150     | 175     | 200     |
| Thickness of doors                             | mm     | 20 à 25 | 21 à 30 | 25 à 35 | 25 à 40 | 33 à 50 | 35 à 55 |
| Width of doors                                 | mm     | 600     | 700     | 700     | 750     | 850     | 1000    |
| Maximum weight of doors equipped with 2 hinges | kg     | 15      | 22      | 27      | 40      | 55      | 70      |
| Fixings recommended                            | TF/90° | 4 x 20  | 4 x 20  | 4 x 25  | 4 x 25  | 6 x 30  | 6 x 30  |

| Nr | A   | B   | C    | D    | E  | F    | G    | H   | J    | K    | L    | M    | N  | P    | Q   | R   | S   |
|----|-----|-----|------|------|----|------|------|-----|------|------|------|------|----|------|-----|-----|-----|
| 29 | 78  | 75  | 46,5 | 19   | 20 | 33   | 11   | 3,2 | 10   | 26   | -    | 7,5  | 12 | -    | 5,5 | 8,5 | 2   |
| 30 | 103 | 100 | 54,5 | 21   | 26 | 39,2 | 11   | 3,2 | 11   | 27   | -    | 9    | 17 | -    | 5,5 | 8,5 | 2   |
| 33 | 128 | 125 | 62   | 22,5 | 31 | 45   | 12,5 | 3,2 | 11,5 | 34,5 | 62,5 | 11   | 22 | 11   | 5,5 | 8,5 | 2   |
| 36 | 153 | 150 | 70   | 25   | 34 | 51   | 14,5 | 4,7 | 14   | 37   | 75   | 10,5 | 22 | 16   | 5,5 | 8,5 | 2,5 |
| 39 | 180 | 186 | 79   | 29   | 38 | 57   | 16,5 | 6,3 | 15   | 42,5 | 88   | 12   | 29 | 18,5 | 7   | 12  | 3   |
| 42 | 202 | 198 | 85   | 32   | 44 | 64   | 17   | 6,3 | 14   | 43   | 99   | 11   | 34 | 23,5 | 7   | 12  | 3   |