

PHA 1000

Panic hardware for single-leaf and double-leaf doors



Product Summary

- Certified according to EN 1125
- Matching PHT 10 external fitting for door leaf thicknesses of 40 to 50 mm and maximum 70 mm
- For single-leaf and double-leaf doors
- Surface versions in stainless steel

With the PHA 1000 panic hardware series and the matching PHT 10 external fitting, doors on escape routes can be secured quickly and easily.

All fittings are with left-handed/right-handed design. They are installed on the door leaf.

F Certificate of suitability

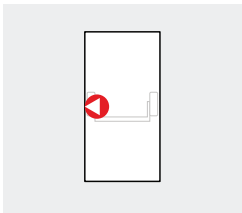
The panic hardware products are tested for use on fire and smoke doors.

In Germany, a certificate of suitability in connection with the respective fire and smoke door is also required.

Data and features	PHA 1000 series	
Door leaf widths	up to 1,300	standard 1,000 mm
Door leaf heights	up to 3,000	standard 2,300 mm
Door leaf thickness	up to 70	standard 40 to 50 mm
Max. door leaf weight	up to 200 kg	
EN 1125 certification	•	
CE Identification	•	

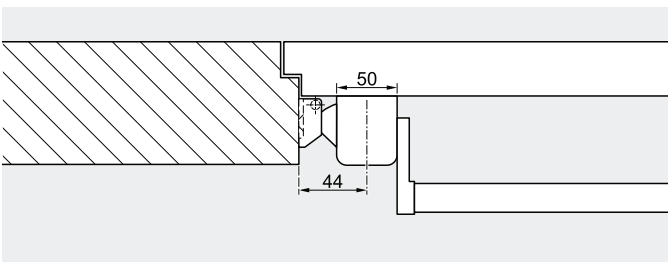
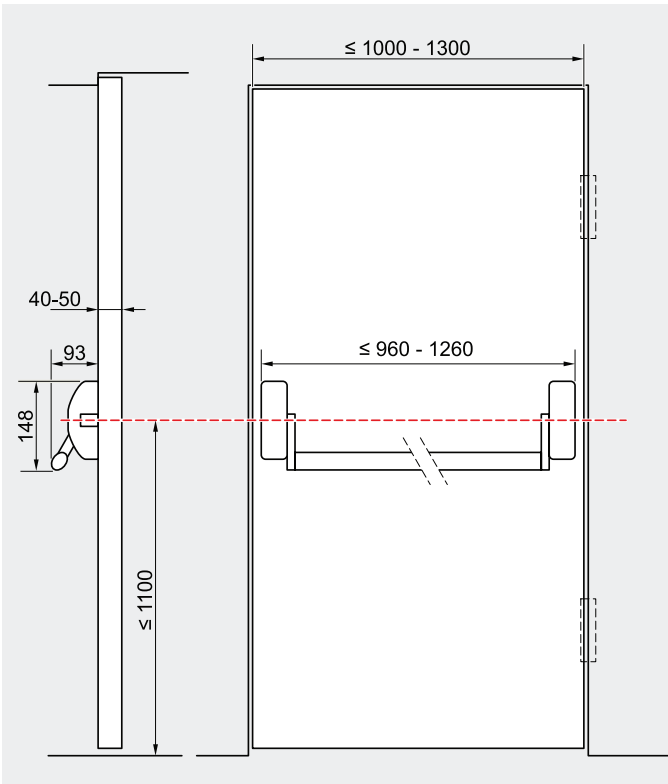
• yes – no





PHA 1102

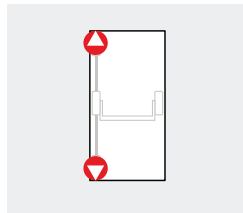
- Solution for single-leaf doors on escape routes
- Certified according to EN 1125
- Max. door leaf weight 200 kg
- For door leaves from 1000mm up to 1300mm in width



Pushbar with single-point locking device, left-handed/right-handed design

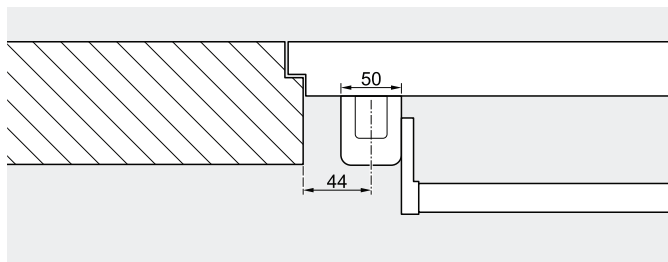
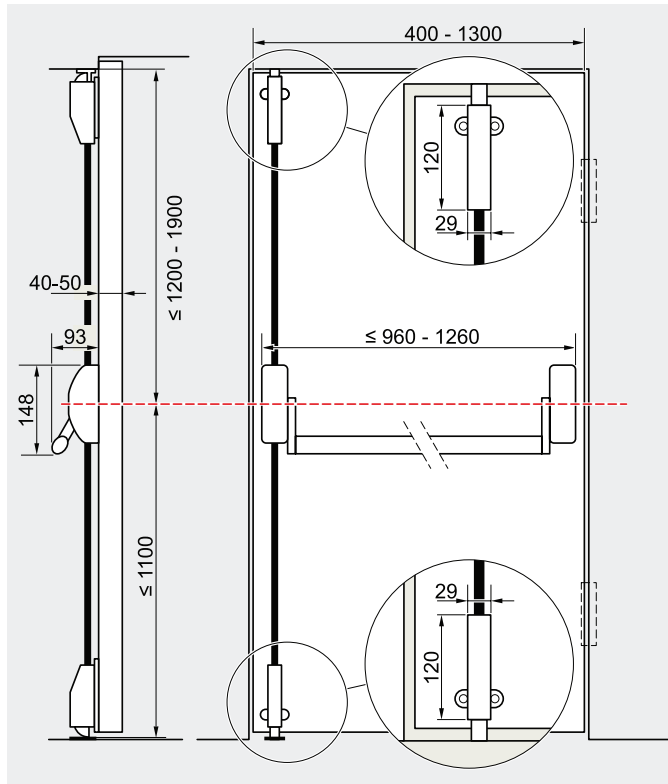
PHA 1102
Silver

Article no.
350141102100



PHA 1202

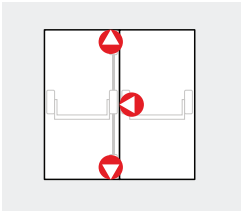
- Solution for single-leaf doors on escape routes
- Certified according to EN 1125
- Max. door leaf weight 200 kg
- For door leaves from 1000mm up to 1300mm in width



Pushbar with drive dead bolts and lock latches with dual-point locking device, left-handed/right-handed design

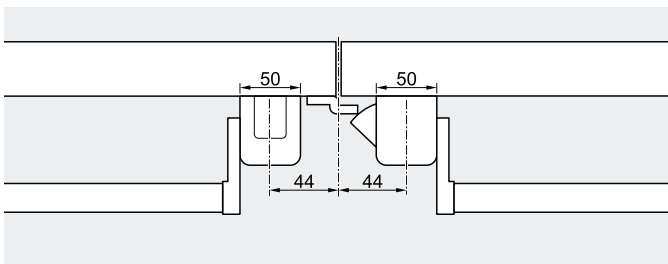
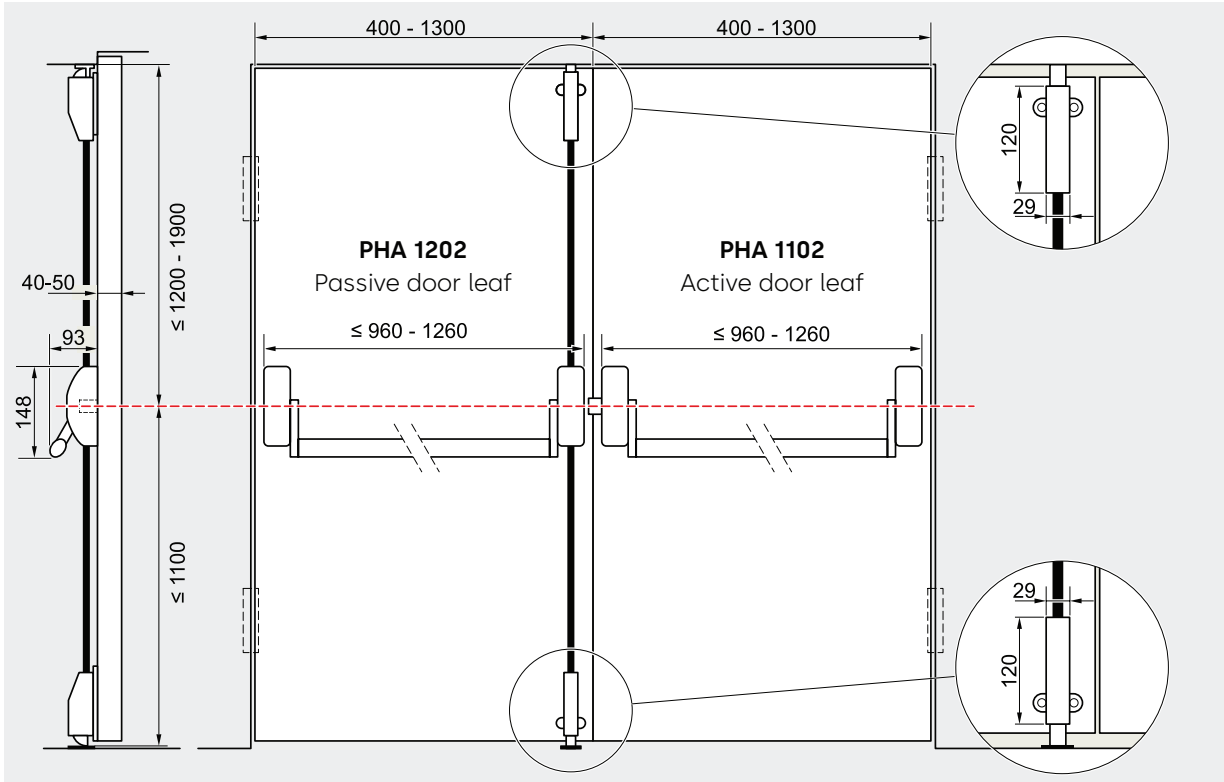
PHA 1202
Silver

Article no.
3501412021001



Combination of PHA 1102 and PHA 1202

- Solution for double-leaf doors on escape routes
- Certified according to EN 1125
- Max. door leaf weight 200 kg
- For door leaves from 2300 mm up to 3000 mm in height and from 1000 mm up to 1300 mm in width



Article no.

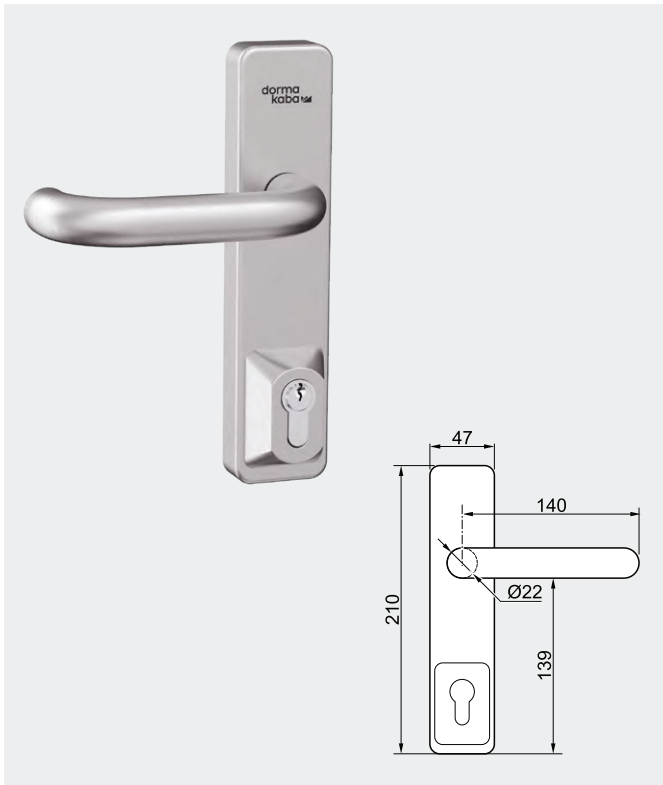
PHA 1102 on active door leaf Pushbar
with single-point locking device
Silver

3501411021001

PHA 1202 on passive door leaf
Pushbar with drive dead bolts and lock
latches with dual-point locking device
Silver

3501412021001

PHT 10 external fittings and accessories



PHT 10 external fitting

Stainless steel safety fittings, left-handed/right-handed design, prepared for PC locking cylinder, door leaf thicknesses of 40–50 mm.

Article no.

PHT 10
Silver

3501449011001

Any questions?
We would be happy to advise you.

Access Hardware Holdings
2 Gravel Drive, Kya Sands
info@ahhza.com
011 510 1500
accesshardwareholdings.com